

# SEALS+DIRECT

www.sealsdirect.co.uk

DESCRIPTION

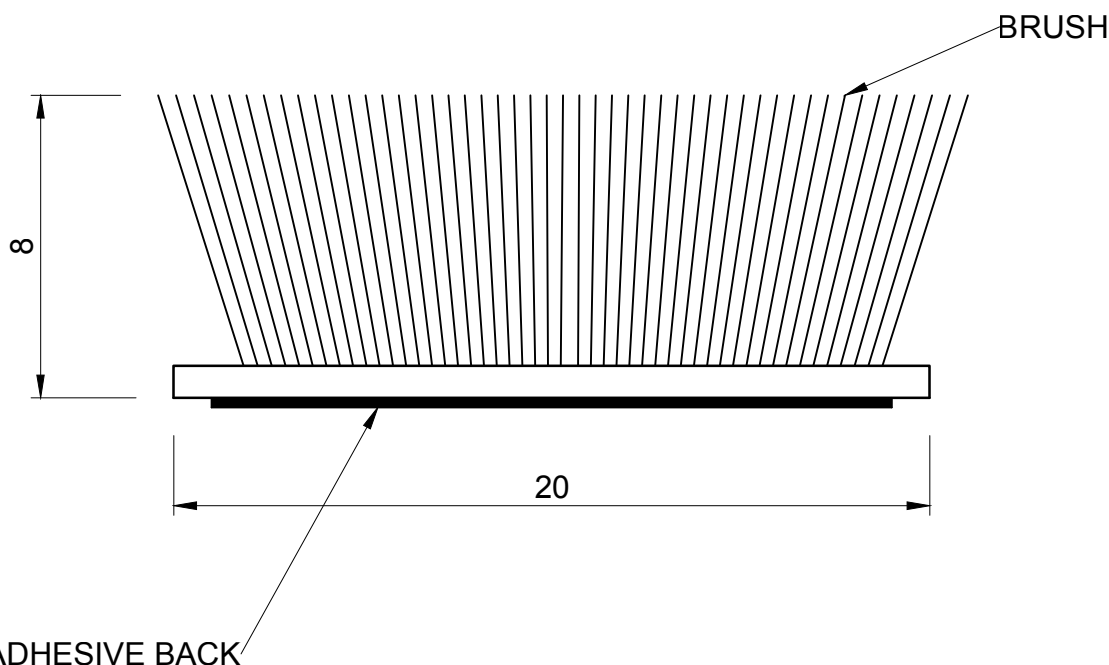
WHITE BRUSH SEAL S/A

ORDER CODE

**BS 4089**



ACTUAL SIZE



NOTES:

1. SOLD BY THE METRE OR COIL
2. COIL LENGTH 25 METRES
3. WEIGHT 34 GRAMS PER METRE
4. IDEAL FOR USE WITH GAPS 4.0MM TO 7.0MM
5. THIS IS A FLEXIBLE COMPONENT THEREFORE OVERALL DIMENSIONS ARE APPROXIMATE

MATERIAL (REFER TO OUR DATA SHEET FOR FULL TECHNICAL DATA)  
POLYPROPYLENE BASE WITH POLYPROP/SILICONE BRUSH, S/A

TOLERANCE

±0.5

ISSUE DATE

10.07.17

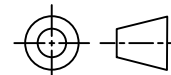
**Seals + Direct Ltd**

SCALE

5:1

Unit 6, Milton Business Centre, Wick Drive, New Milton, Hants, BH25 6RH  
Tel: 01425 617722 Fax: 01425 610967 E-mail: sales@sealsplusdirect.co.uk

PROJECTION



Reg. No 4989100

This information and our technical advice, whether verbal, in writing or by way of trials, is given in good faith but without warranty. This also applies where proprietary rights are involved. Our advice does not release you from the obligations to check its validity and to test our products as to their suitability for the intended use. The storage, application and use of our products are beyond our control and, therefore, entirely your own responsibility. Our products are sold in accordance with our General Conditions of Sale. The information contained within this drawing is subject to change without notice.

DIMENSIONS IN MM

©SEALS + DIRECT LTD